



Wireless

data sheet

RACUB

CURTAIN, SCREEN & BLIND CONTROL UNIT



WHAT IS IT ?

A compact dual relay RF switching module.

Ideal for integrating motorised curtains, blinds and projector screens with the lighting control system.

Controlled from any Rako Rakom RF device, for example the RPS/RCM three or six button RF wall plates.

The RACUB in-line RF relay module for motorised curtains, screens and blinds



AUTOMATED CONTROL

Designed to fit local to a motor, the RACUB relay module can control motorised window treatments and home cinema equipment such as projector screens.

The robust microprocessor design ensures reliable switching with dual relays enabling open, close and stop functions. Intelligent motor protection function stops harmful back currents from damaging the relays.

Programmed using either an RCM/RPS03 RF wallplate or the RASOFT PC software suite, the unit stores the house, room and channel address in non volatile memory.

The RACUB relay module can be controlled from any Rako transmitter such as RCP wallplates, RAH hand helds, MB1s and forms the ideal accessory to any Rako scene-set system.



Wireless

data sheet

RACUB

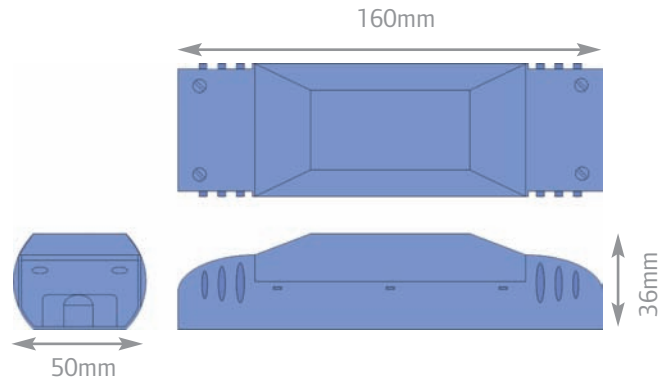
CURTAIN, SCREEN & BLIND CONTROL UNIT



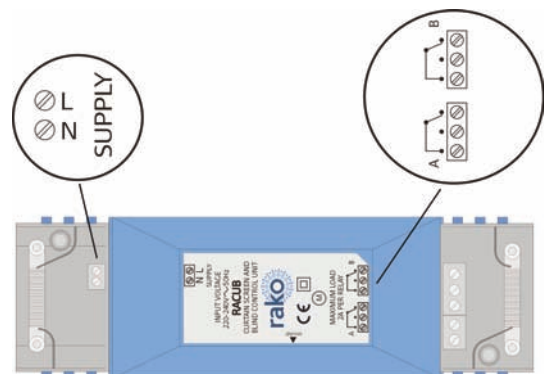
technical data

dimensions	160x50x36mm
input supply	230V AC +/-10% 50Hz
weight	240g
housing	UL V0 material
climate range	Temperature +2C to +40C Humidity +5% to 95% non condensing
connections	2 way screw terminals for mains power 6 way screw terminals for relay outputs
load types	240vac Motors 12vdc Motors Motors with volt-free contact inputs
minimum load	N/A
maximum load	2A
terminal sizes	1.5mm ² - Stranded 2.5mm ² - Solid
standards	Emissions - EN61000-6-3 : 2001 Immunity - EN61000-6-1 : 2001
communication	Rakom coded fm radio, 433.9MHz
memory	Flash memory (non volatile)

mechanical data



connection details



telephone +44 (0) 1634 226666 fax +44 (0) 1634 226667 www.rakocontrols.com

WE RESERVE THE RIGHT TO CHANGE THE SPECIFICATION AND DATA HEREWITH WITHOUT NOTICE.

© 2012 RAKO CONTROLS LIMITED