

# 1 Zone RF Remote Control

for RGB and RGBW LED strip



## LR-RGB/RGBW



### Product Description

The LR-RGB/RGBW remote enables control of 1 zone of RGB/RGBW LED strip, featuring a touch colour wheel. This LR-RGB/RGBW controller enables the user to easily adjust the output colour via the scroll wheel.

### Technical Specification

|                     |                      |
|---------------------|----------------------|
| Controller          |                      |
| Order Code          | LR-RGB/RGBW          |
| Type                | RF Remote            |
| Input Voltage       | 3VDC                 |
| Operation Frequency | 2.4GHz               |
| Dimension           | 58.5x107x9mm (WxLxH) |
| Power               | battery CR2032       |

### Features

- Easy control of RGB/RGBW LED strips
- 2.4GHz wireless technology, remote distance of up to 30m
- Save lighting functions and preferences with scene save
- Receiver Auto-Transmitting function to achieve greater distances between receivers and the remote
- Built-in dynamic play modes with receiver auto-synchronization

### Compatible RGB receivers Technical Specification

|               |                    |                     |
|---------------|--------------------|---------------------|
| Order code    | R3C                | R4C                 |
| Channels      | 3 (RGB)            | 4 (RGBW)            |
| Type          | RF receiver        | RF receiver         |
| Input Voltage | 12-24V DC          | 12-36V DC           |
| Current       | 3x4A               | 4x5A                |
| Output        | 3X(48-96W)         | 4X(60-180W)         |
| Note          | Constant voltage   | Constant voltage    |
| Dimension     | 33x97x18mm (WxLxH) | 45x175x27mm (WxLxH) |



R3C



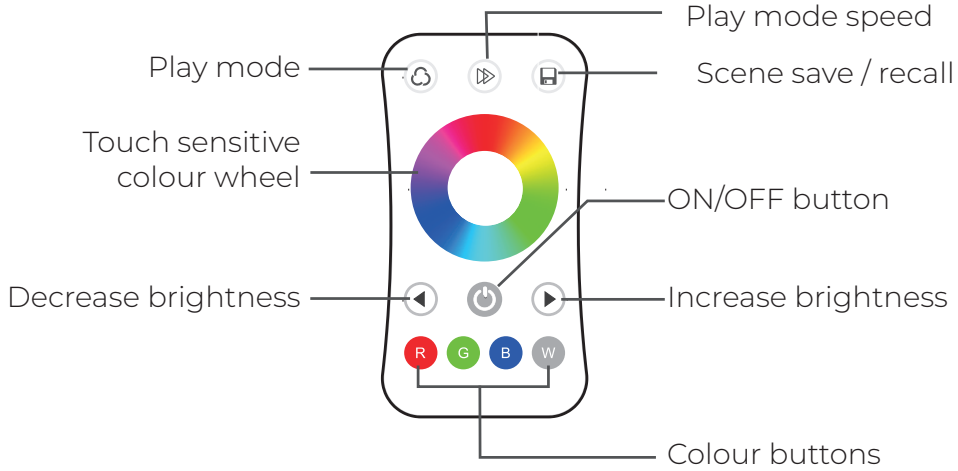
R4C

# 1 Zone RF Remote Control

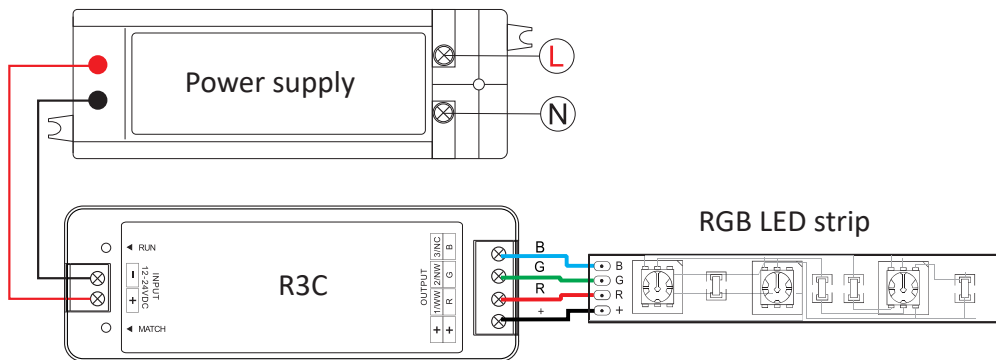
for RGB and RGBW LED strip



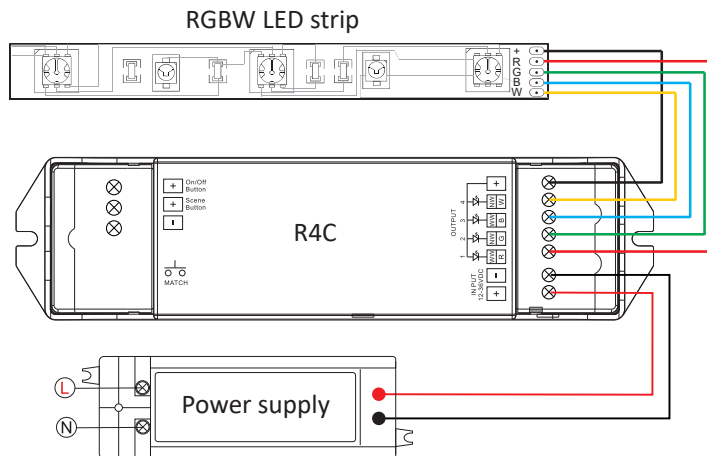
## Controller layout



## RGB Receiver wiring diagram



## RGBW Receiver wiring diagram



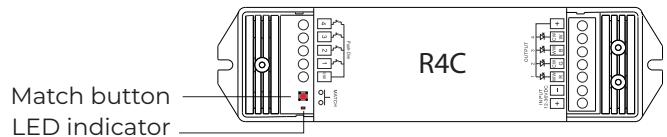
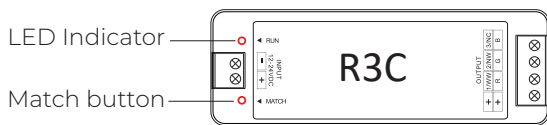
# 1 Zone RF Remote Control

for RGB and RGBW LED strip



## Synchronising the remote to receiver

**1)** Ensure the receiver has power. Press the match button on the receiver. Indicator will start flashing.



**2)** Press any button on the remote to allocate the receiver within 5 seconds after pressing the match button. The LED indicator on the receiver will flash rapidly 5 times and then stop flashing. The controller is now synchronised with the receiver.



Press any button to allocate the receiver

**3)** To restore to factory default settings and delete the allocated controller, press and hold the match button longer than 5 seconds.

## Troubleshoot

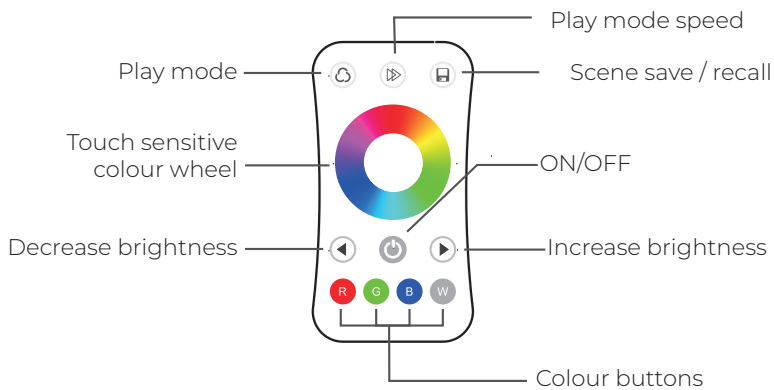
| Problem   | Cause   | Corrective  |
|---|---|---|
| No light  | <ul style="list-style-type: none"> <li>No power.</li> <li>Wrong connection or unsecure connection.</li> </ul>   | <ul style="list-style-type: none"> <li>Check the power.</li> <li>Check the connection.</li> </ul>   |
| Wrong Colour  | <ul style="list-style-type: none"> <li>Wrong connection of RGB/W wires.</li> </ul>  | <ul style="list-style-type: none"> <li>Re trace and reconnect RGB/W wires.</li> </ul>   |
| Uneven intensity between front and rear of the strip, with voltage drop | <ul style="list-style-type: none"> <li>Output cable is too long.</li> <li>Cable diameter is too small.</li> <li>Overload beyond driver capability.</li> <li>Overload beyond receiver capability.</li> </ul> | <ul style="list-style-type: none"> <li>Reduce cable or loop supply.</li> <li>Change to a thicker cable.</li> <li>Replace with a suitable higher power driver.</li> <li>Add a power repeater.</li> </ul> |
| No response from the remote   | <ul style="list-style-type: none"> <li>The battery has no power.</li> <li>Beyond controllable distance.</li> <li>The controller isn't synchronised with the remote.</li> </ul>                              | <ul style="list-style-type: none"> <li>Replace battery.</li> <li>Reduce remote to receiver distance.</li> <li>Re-sync the remote.</li> </ul>  |

# 1 Zone RF Remote Control

for RGB and RGBW LED strip



## Controlling your LED strip



- To change colour, use the colour wheel.
- To mix the individual components of RGB colours, press and hold (R/G/B) colour buttons to increase or decrease that colour.
- To alter the brightness short press the increase / decrease brightness buttons or long press for fine adjustment.
- Press once W button to turn the white colour ON/OFF. To increase/decrease white colour brightness press and hold W button.

- Remote will go into standby mode after few seconds if not being used. Press any key to re-activate the remote.
- There are several dynamic modes, press the play mode button to browse through modes. To choose the mode, press and hold play mode for 2seconds.
- There are 10 speeds for the play modes. Press the speed button to browse through the speed levels and to sync receivers if out of sync.
- Press and hold the speed button to go to the highest speed level.
- To save a favourite colour, press and hold scene buttons.
- To recall saved setup, press scene button.

Please note! RF technology allows for greater flexibility when it comes to controlling simple or complex lighting installations without the need of additional cabling.

There are some limitations where installations have the receivers enclosed in electrical boxes or hidden away in a ceiling, reducing the RF signal strength and therefore the communication range.

In order to overcome these RF Signal restrictions we suggest the following when synchronising our RF controllers and receivers:

- Keep the distance within 10 meters from the controller to the receiver. The remote can operate up to 30 meters if signal is uninterrupted by obstacles.
- When expanding your lighting, always try and use a signal repeater (PR-RGB(N)), where possible.

### Safety

- Products must be installed and serviced by qualified electrician.
- Please ensure the receiver is mounted in a water proof enclosure if installed in an outdoor environment, avoiding metallic enclosures.
- Always ensure products are mounted in areas with adequate ventilation to avoid overheating.
- Please ensure outputs of any power suppliers used in conjunction with this product comply with its working voltage.
- Never install product whilst connected to power and double check connections before switching on to avoid short circuits.

### Warranty

Should this product fail during the 5 year warranty period it will be replaced free of charge, subject to the correct installation of the original product in accordance with applicable and appropriate electrical codes and instructions provided by Teucer, as well as subsequent return of the faulty unit. Teucer does not accept responsibility for any installation costs associated with the replacement of this product and Teucer reserves the right to alter specifications without prior notice. For further information, please see our Terms and Conditions. [www.teucerled.co.uk/terms-and-conditions/](http://www.teucerled.co.uk/terms-and-conditions/)

Teucer (UK) Ltd  
Bedford House, Fulham  
Green, 69-79 Fulham High  
Street, London, SW6 3JW, UK

Tel: +44 (0)20 7350 4429  
Fax: +44(0)20 7228 4647  
[www.teucerled.co.uk](http://www.teucerled.co.uk)  
[sales@teucer.eu](mailto:sales@teucer.eu)



V002-11-2019

[www.teucerled.co.uk](http://www.teucerled.co.uk)