

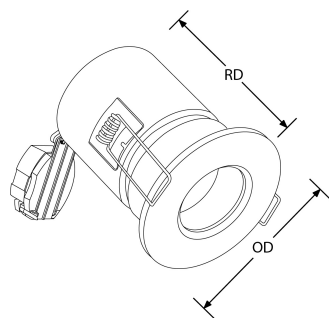


**Product Description:** EFD™ GU10 Fixed Lock Ring Aluminium Fire Rated Downlight

The complete EFD™ GU10 range of compact fire rated downlights are perfect for a wide range of applications and installations. Available in fixed, adjustable, IP65 rated and various colour finishes, the range utilises patented integrated intumescent material completely sealing the downlight and cut-out in the event of a fire.

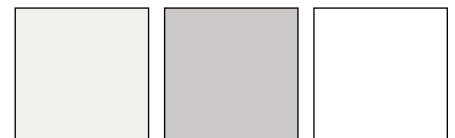
SKU Code	Finish Colour
EN-FD101PC	Polished Chrome
EN-FD101SN	Satin Nickel
EN-FD101W	White

**Line Drawing**



**Polar Curve**

**Colour**



Polished  
Chrome

Satin Nickel

White

## Product Features:

- New and improved loop in/out terminal block for quick and easy installation
- Tested in 30, 60 and 90-minute fire rated ceilings
- 3mm super slim bezel
- 3 year warranty

## Product Specs:

Input Voltage	240~240V AC	Input Frequency	50/60HZ
IP Rating	IP20	Lamp Base	GU10
Overall Diameter (mm)	87	Weight (Kg)	0.220
Projection (mm)	3	Height (mm)	125
Product Type	Downlights,Fire-Rated Downlight	Cutout Diameter (mm)	75-75

## Compliance & Approvals:



## Warranty:

This product has a warranty period of 3 Years. Warranties may be available on certain products as indicated in the product description. Warranties are valid from the date of purchase. The warranty is invalid in the case of improper use, installation, tampering, removal of the Q.C. date label or installation in an improper working environment or installation. Should this product fail during the warranty period it will be replaced free of charge, subject to the correct installation of the original product and subsequent return of the faulty unit. Aurora does not accept responsibility for any installation costs associated with the replacement of this product and Aurora reserves the right to alter specifications without prior notice.